

OMB SALERI

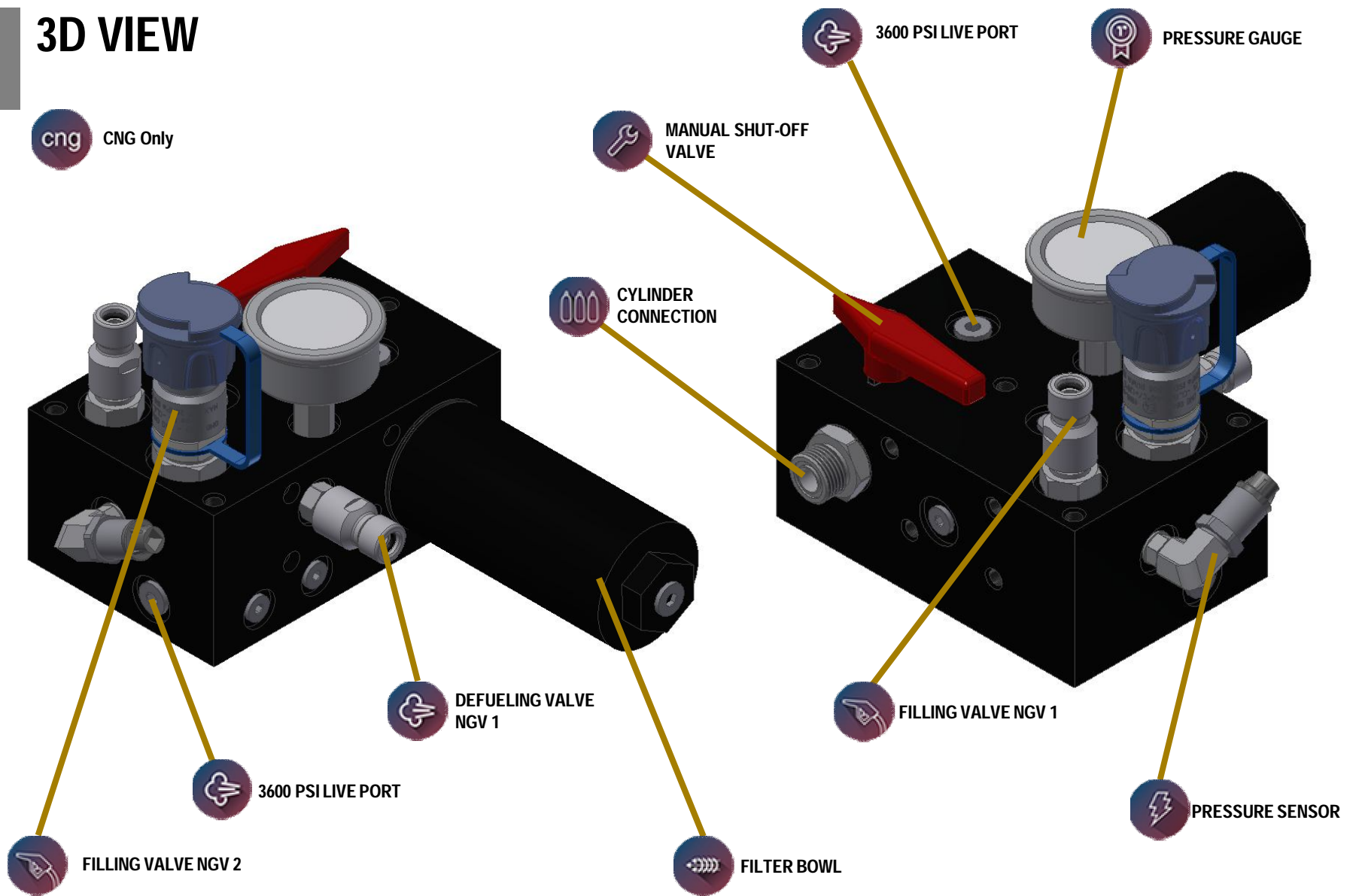
CNG PANEL

DRAFT



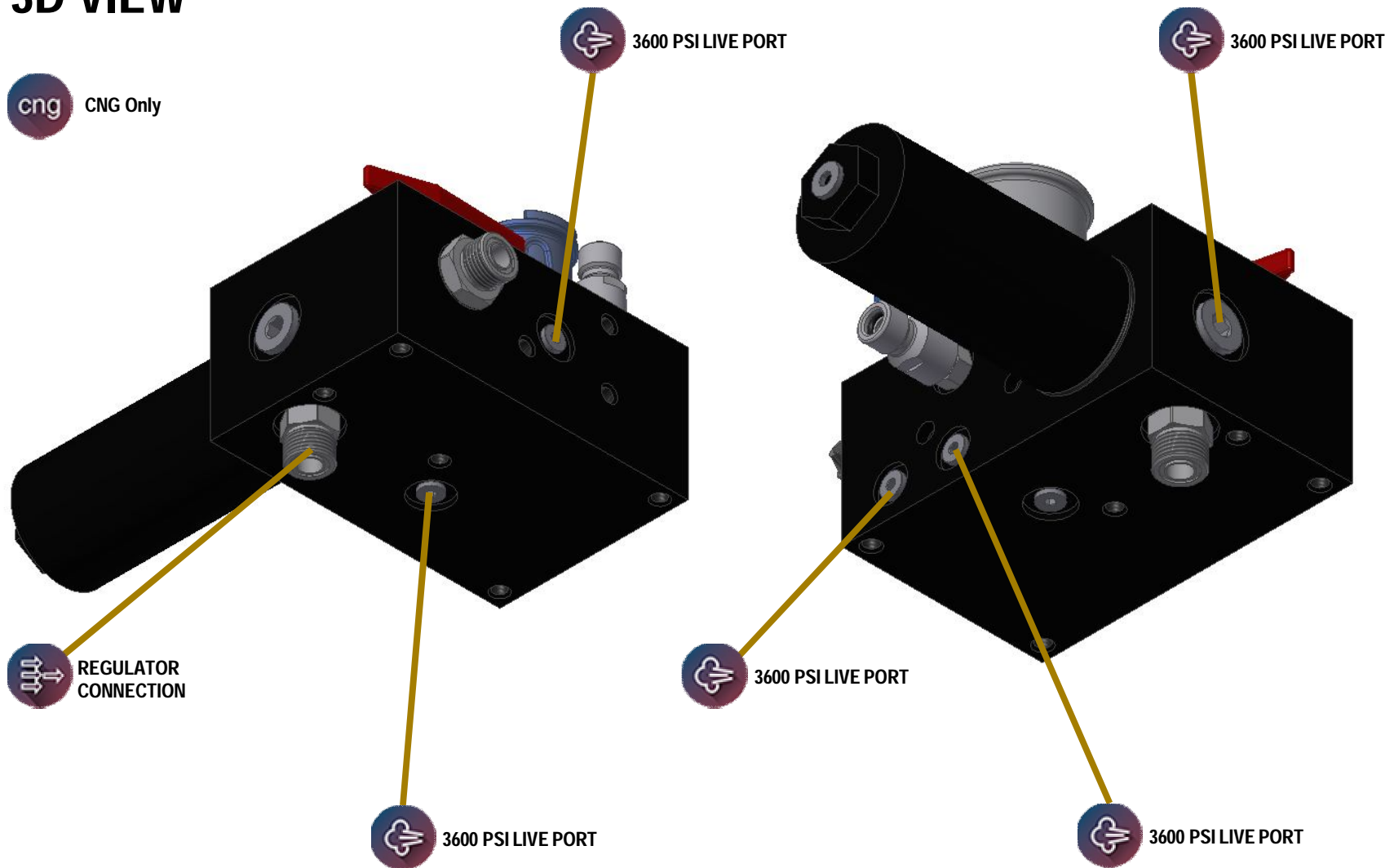
3D VIEW

cng CNG Only

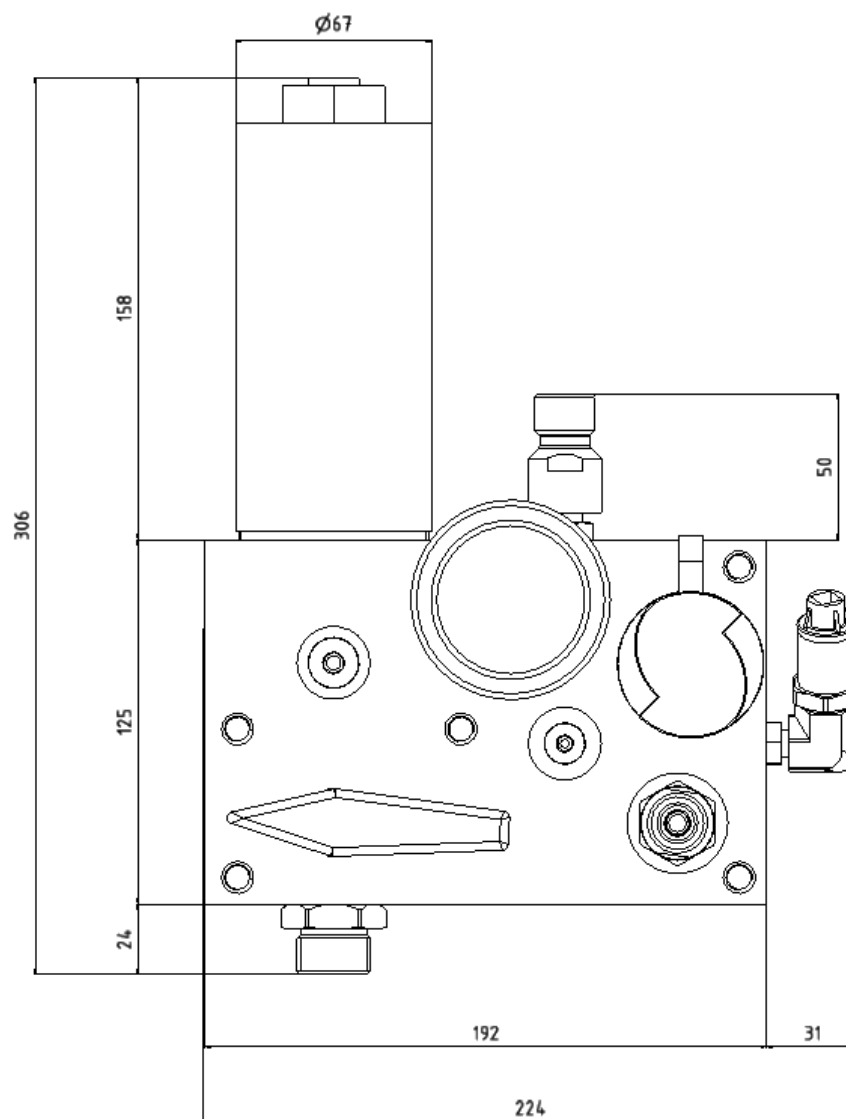


3D VIEW

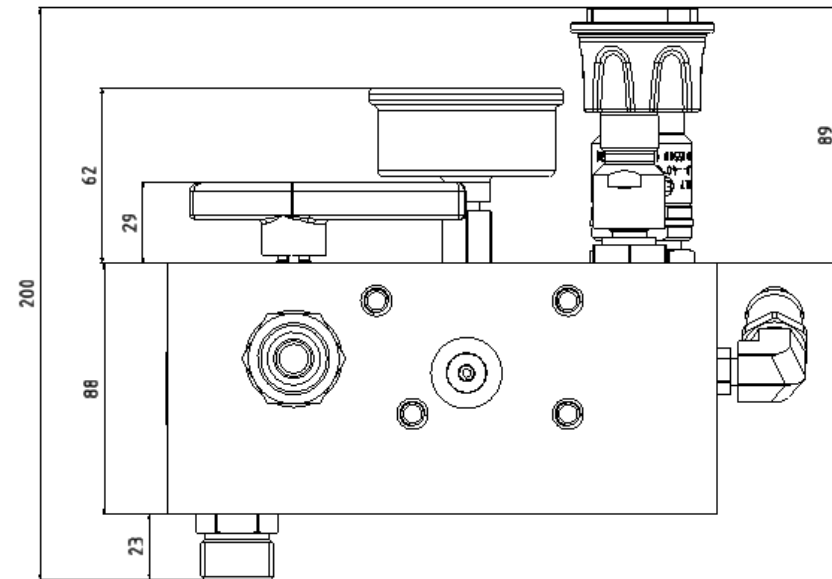
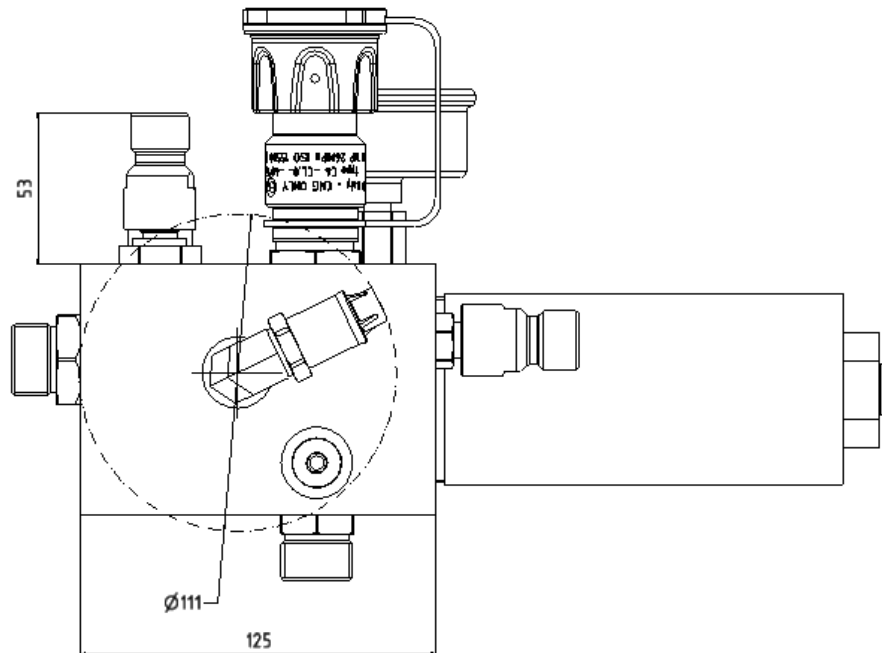
cng CNG Only

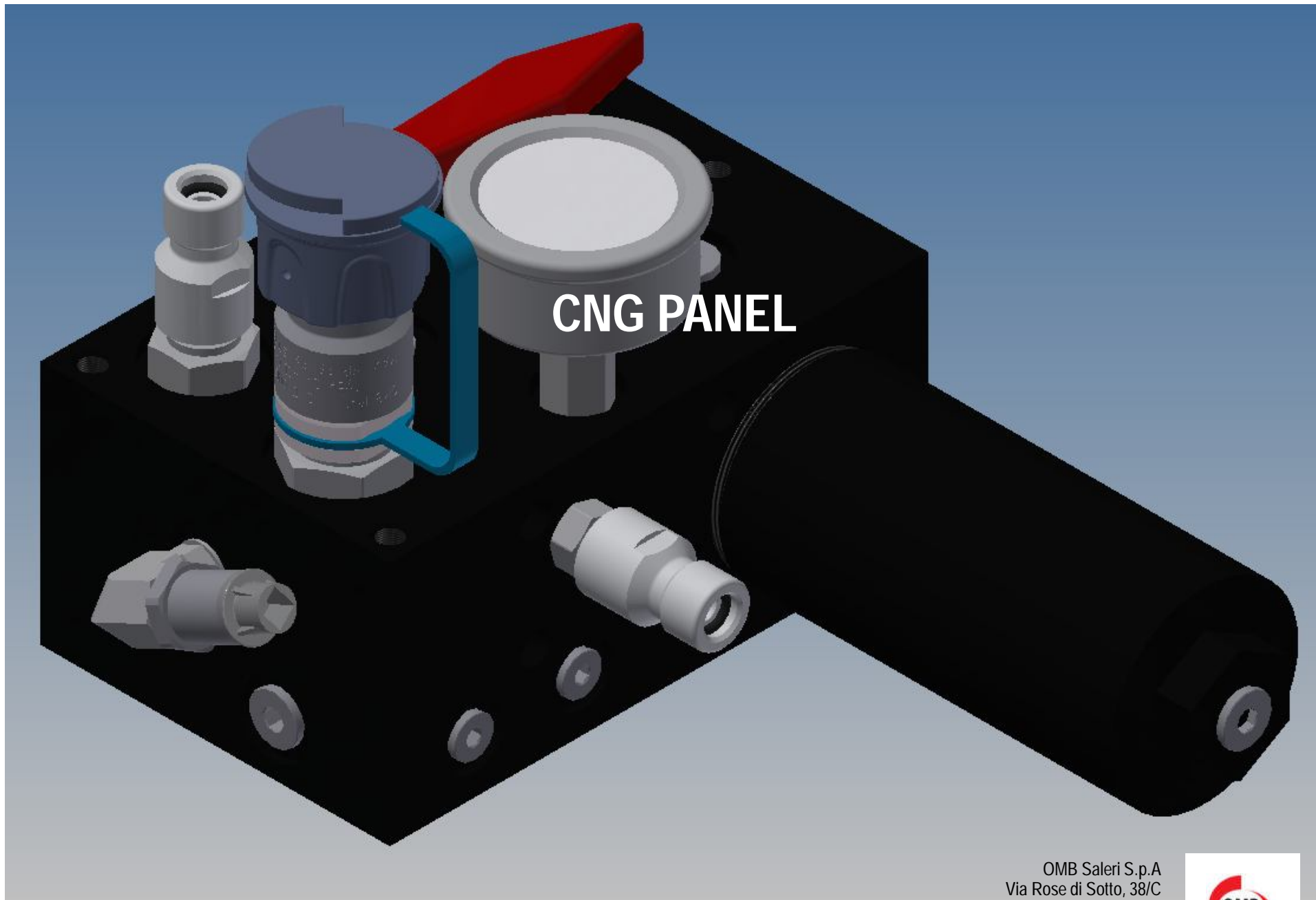


DIMENSIONS



DIMENSIONS





CNG PANEL

OMB Saleri S.p.A
Via Rose di Sotto, 38/C
25126 Brescia (BS) Italy
tel. +39 030 31 95 801
fax. 030 37 32 872
www.omb-saleri.it
info@omb-saleri.it

